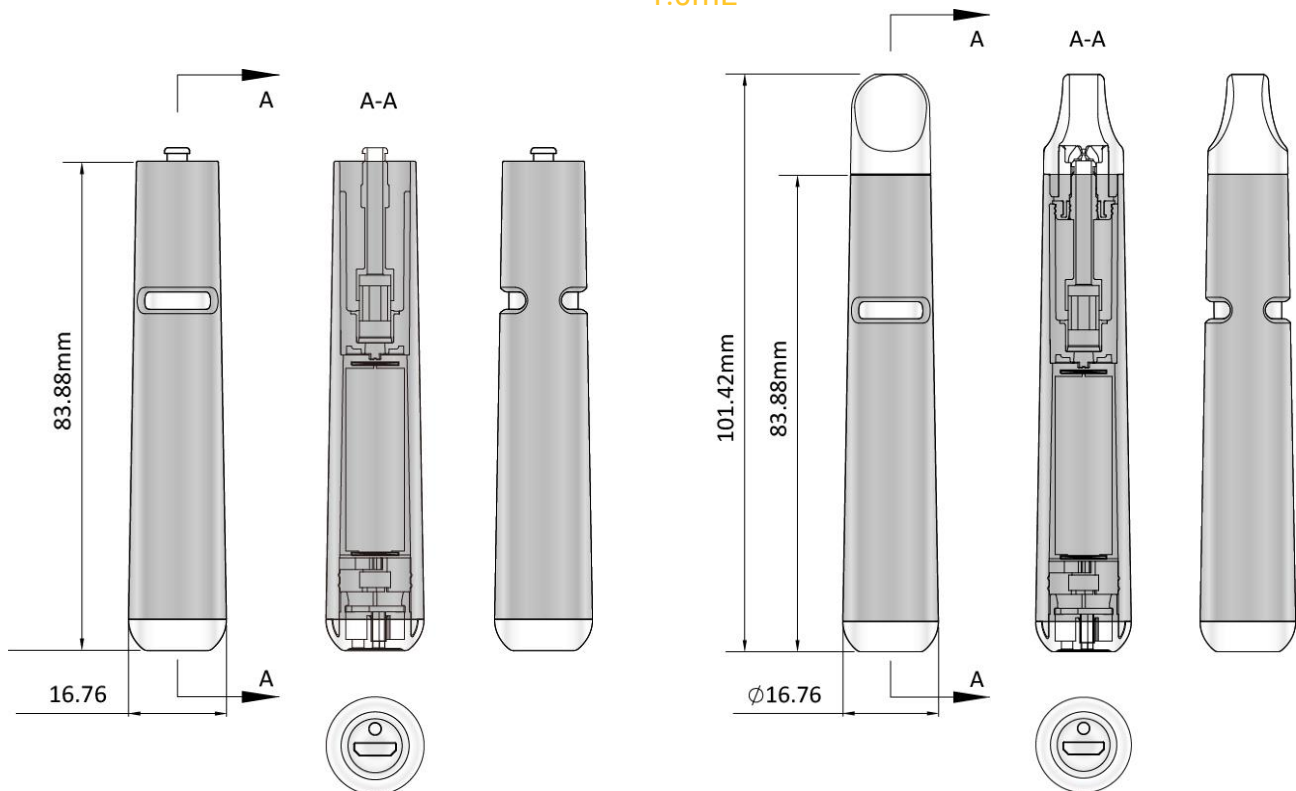


Technical Specification Sheet



Urth2 Disposable – 1.0ml		VER:	1.0
DOCUMENT NO:	DOC-UTD2-01	DATE:	20-MAR-2023
AVEO® SKU:	UTD2	PAGE 1 OF 3	

Urth2 Disposable 1.0mL



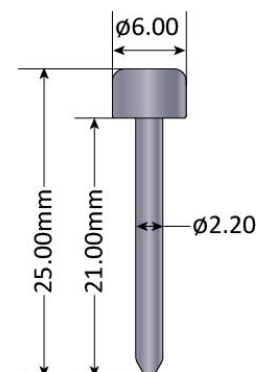
Description:

Top fill disposable vaporizer cartridge system. Patent-pending low force, tamper-proof, easy snap-on locking and removable mouthpiece system. No arbor press required, high quality hemp based shell. Micro USB charge port to ensure full battery charge.

Features:

- » AVEO® Technology Atomizer
- » Locking press-fit and patent-pending unlocking mouthpiece
- » Top loading, compatible with most filling machines
- » Capable for mass filling and mass capping
- » Tamper-proof
- » Eco-Friendly Hemp based shell
- » Micro-USB Charge Port
- » 1.7mm aperture for various oil viscosities
- » 1.0mL capacity
- » Window compatible with 0.3ml, 0.5ml and 1ml oil
- » Opening space allows down to 14 gauge needle ($\Phi 1.83\text{mm}$)

Unlocking Pin



Unlocking pin requirements:

Diameter: 2.2mm, the pin should not go deeper than 21mm.

Technical Specification Sheet



Urth2 Disposable – 1.0ml		VER:	1.0
DOCUMENT NO:	DOC-UTD2-01	DATE:	20-MAR-2023
AVEO® SKU:	UTD2	PAGE 2 OF 3	

Specifications	
Capacity	1.0 mL
Gross volume	1.05 mL
Max. fill volume	1.0 mL
Weight, empty	18.5 ± 0.1 g

Power (± 0.5W)	Standard power is 7W	
Fluid Inlet Diameter (± 0.5mm)	1.7mm	
Fluid Inlet qty	4 inlet holes	
Viscosity Range	1,000-110,000cps depending on aperture and configuration	
Materials	Coil Head, Anode	Plated Lead-free Brass
	Battery Shell	Hemp PP
	Heating Core	FeCrAl, Ceramic
	Seals	Eco-friendly Silicone
	Mouthpiece (multiple materials available)	Hemp PP

Technical Specification Sheet



Urth2 Disposable – 1.0ml		VER:	3.0
DOCUMENT NO:	DOC-UTD2-01	DATE:	20-MAR-2023
AVEO® SKU:	UTD2	PAGE 3 OF 3	

Electrical Specifications and Activation	
Battery Cell Capacity	220 mAh
Output Voltage	3.2V ± 0.1V 3.6V ± 0.1V (Optional)
Power Input	5V 1A
Resistance	1.4 - 1.5 Ω
Max Charge Current	220 mA
Activation	Draw Activated
Activation Time	0 - 10 seconds

Features and Indications	
Cartridge Attachment	Built-in, all-in-one
Notification	LED
Low Battery Notification	LED blinks 10 times
Charging (CD model only)	Micro-USB type B
LED Light Indication	LED steady on during charging; LED turns off when fully charged. LED blinks 3 times after disconnecting the charging cable. No LED signal when plugged with full charge.

Safety Features	
Short-circuit Protection	Device will not activate when load is less than 1.0 Ω, The LED will light 2 seconds. Device resets after draw is finished.
Li-ion Battery	Cells meet the requirements for Li-ion batteries.
Over use Protection	Device deactivates after a 10 second draw activation. The LED light will blink 2 times. Device resets after draw is finished.
Cell Containment	Battery cell is enclosed within the metal housing which is not accessible to the user without permanent damage to the unit. The housing protects the cell from damage during use and transportation.
Overcharge Protection	Connect the device to any active USB port with a standard micro-USB type B cable. LED light steady on during charging; LED turns off when fully charged. Overcharge protection is contained within the device.

Caution: Fast charger output voltage higher than 5V may damage the battery