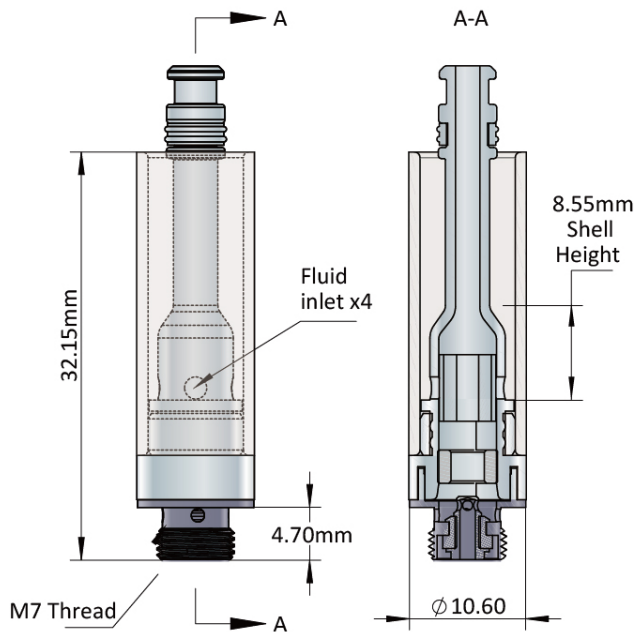


# Technical Specification Sheet



<b>Easy-press Luminous Series Glass Cartridges</b>		<b>VER:</b>	3.0
<b>DOCUMENT NO:</b>	DOC-OCZR-01	<b>DATE:</b>	01-SEP-2022
<b>AVEO® SKU:</b>	050CZR, 100CZR	PAGE 1 OF 3	

## 0.5mL Cartridge



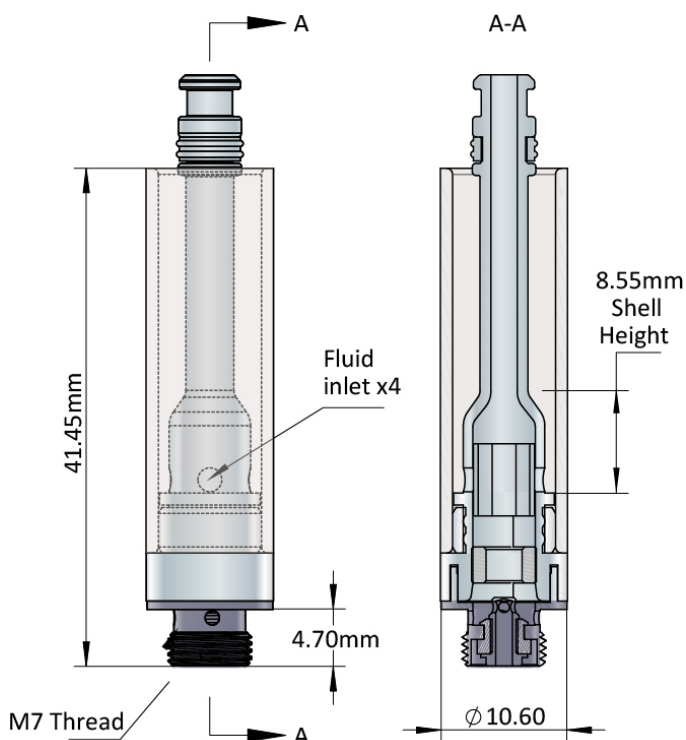
## Description:

Top fill vaporizer cartridge. Premium medical grade zirconia construction. Patented low torque, tamper proof, easy snap-on locking mouthpiece system. No arbor press required.

## Features:

- » Premium medical grade zirconia center post and cartridge build
- » AVEO® Technology atomizer
- » Top loading, compatible with most filling machines
- » Capable for mass filling and mass capping
- » Tamper-proof, press-fit, locking mouthpiece
- » 0.5mL / 1.0mL capacity, 1.5mm aperture
- » Multiple mouthpiece materials and shapes to choose from

## 1.0mL Cartridge



# Technical Specification Sheet



<b>Easy-press Luminous Series Glass Cartridges</b>		<b>VER:</b>	3.0
<b>DOCUMENT NO:</b>	DOC-OCZR-01	<b>DATE:</b>	01-SEP-2022
<b>AVEO® SKU:</b>	050CZR, 100CZR	PAGE 2 OF 3	

Specifications		
<b>Capacity</b>	0.5 mL	1.0 mL
<b>Gross volume</b>	0.55 mL	1.05 mL
<b>Max. fill volume</b>	0.5 ml	1.0 ml
<b>Weight, empty</b>	7.00 ± 0.2 g	8.04 ± 0.2 g

<b>Power @ 3.5V (± 0.5W)</b>	Standard power is 9W	
<b>Fluid Inlet Diameter (± 0.5mm)</b>	1.5mm	
<b>Fluid Inlet qty</b>	4 inlet holes	
<b>Viscosity Range</b>	1,000-110,000cps depending on aperture and configuration	
<b>Materials</b>	Heating Base, Coil Head, center post	Medical Grade Zirconia
	Anode, M7 510 threading	Plated Lead-free Brass
	Glass Tube	High borosilicate glass (Food grade)
	Heating Core	Kanthal, Ceramic, Cotton
	Seals	Eco-friendly Silicone
	Mouthpiece (multiple materials available)	Resin, Ceramic, Metal, Hemp Plastic

# Technical Specification Sheet



<b>Easy-press Luminous Series Glass Cartridges</b>		<b>VER:</b>	3.0
<b>DOCUMENT NO:</b>	DOC-OCZR-01	<b>DATE:</b>	08-SEP-2022
<b>AVEO® SKU:</b>	05OCZR, 100CZR		PAGE 3 OF 3

## Filling Instructions

Failure to follow these instructions may result in cartridge leakage, damage, or poor performance.

- » To fill, insert a blunt tip needle into the space between the center airway tube and the inner wall of the cartridge. The recommended oil temperature range at time of filling is 90°F-130°F or 32°C-55°C. (1.46mm is the maximum needle width allowed. An 18 gauge needle is 1.27mm wide.)
- » For glass cartridges, make sure there is no fluid in the top 4mm of the glass tank. Caution: do not allow oil to enter the center airway tube. Do not overfill. If the cartridge is overfilled, fluid will be forced through the atomizer and leak out of the bottom of the cartridge when the mouthpiece is capped. Make sure the inner surface of the cartridge close to the top opening is free of fluid. Fluid on this surface may act as a lubricant reducing retention of the mouthpiece.
- » Be aware that the silicone end cap can be punctured when too much pressure is applied during capping.
- » Immediately after filling, cap the cartridge with the mouthpiece until it is fully seated. Do not wait more than 3 minutes to cap. Shorter time is recommended for thinner oils. Failure to cap within the appropriate amount of time can lead to leakage and clogging.
- » Cartridges should be allowed to stand for at least 30 minutes before use. During this time, fluid is priming the atomizer. The rate that the atomizer saturates is dependent upon the viscosity of the fluid. More viscous fluids will require more time. The appropriate aperture setting must be used according to the viscosity of the fluid.

## Easy-press Glass Cartridge Capping

- » After filling, insert the mouthpiece, pressing lightly to align it on the center post. After making sure the mouthpiece is properly aligned and straight, press the mouthpiece down vertically (not at an angle) using level, even pressure until you hear a click that indicates it is fully seated.
- » It is possible to seat the mouthpiece by hand, but a light-duty arbor press and jig is recommended. Do not use a hammer or mallet. About 7-8kgF of force is needed to cap a single cartridge.
- » A misaligned mouthpiece, off-center arbor press, or pressing at an angle can cause the mouthpiece hooks to not engage onto the center post. This can lead to damage, improper seal, leakage, and cracking of the glass tank.
- » Once the mouthpiece is fully seated, it cannot be removed without damaging the cartridge or the mouthpiece.
- » Caution: Do not reuse a mouthpiece that you failed to seat on the first try.
- » Do not twist or rotate the mouthpiece while it is being inserted. Do not press down even at a slight angle.